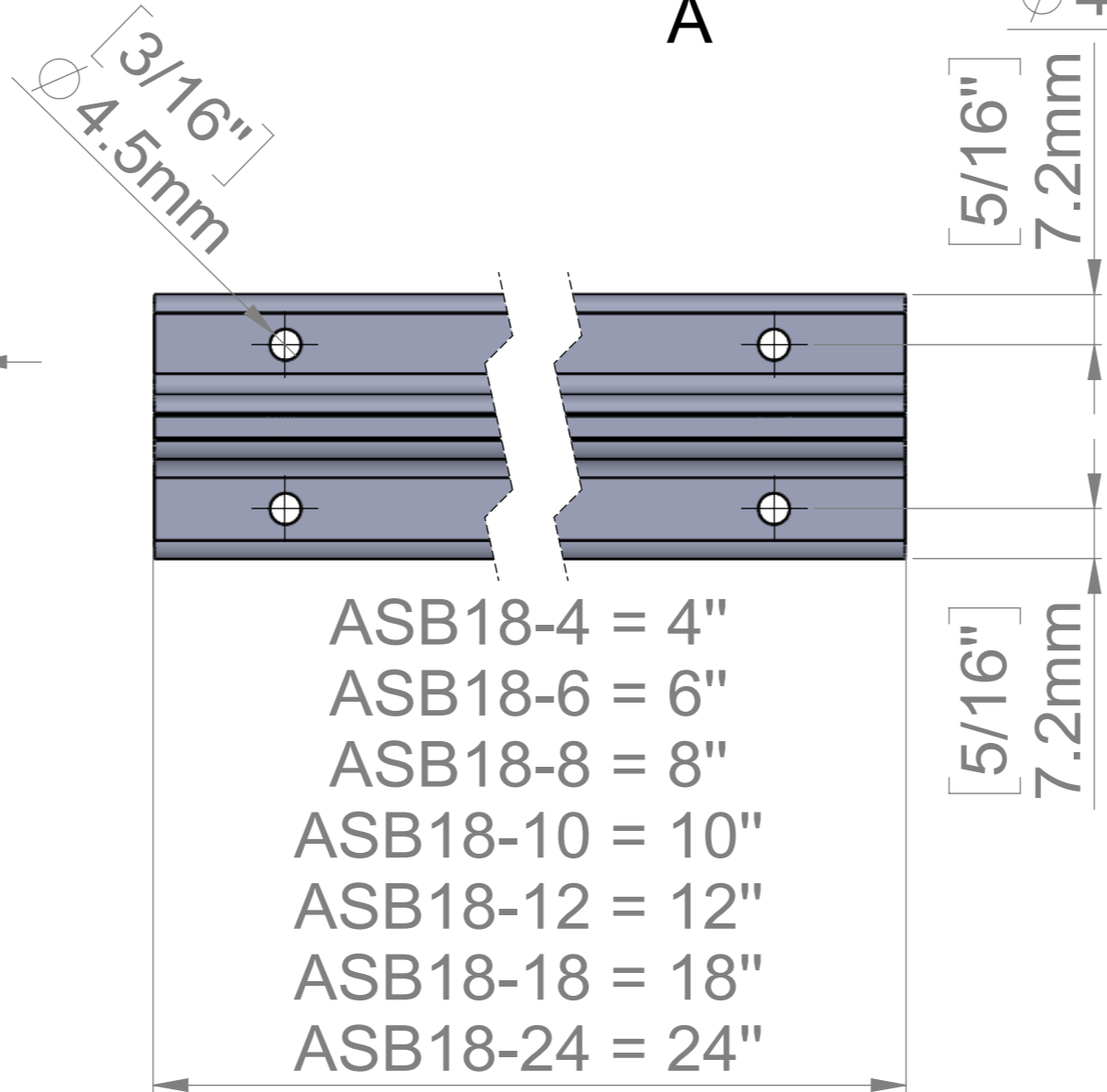
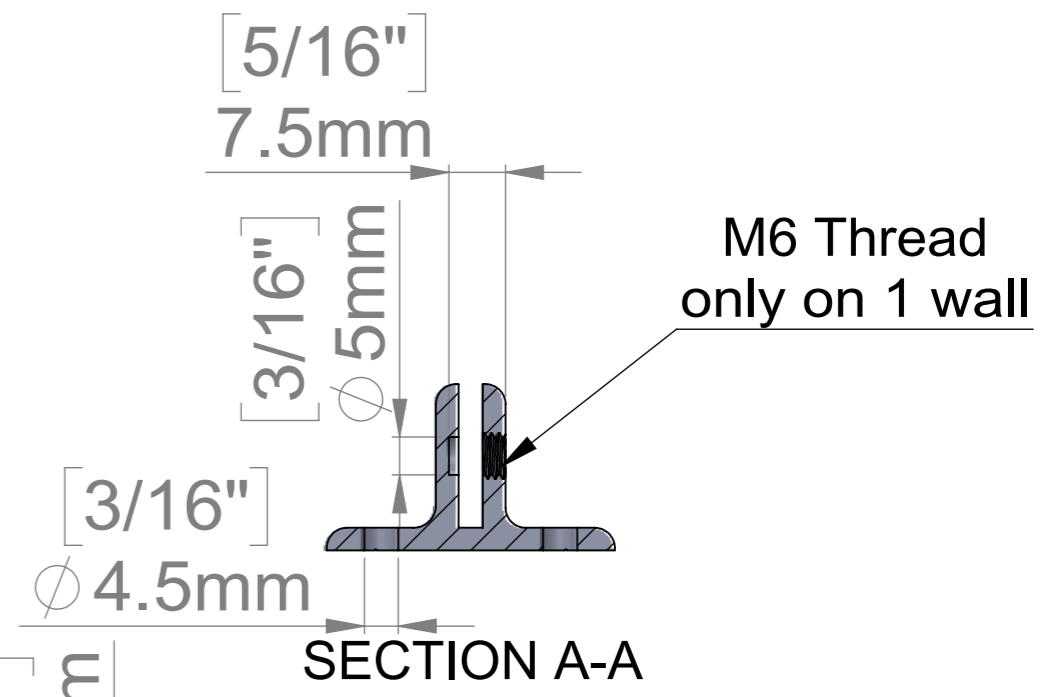
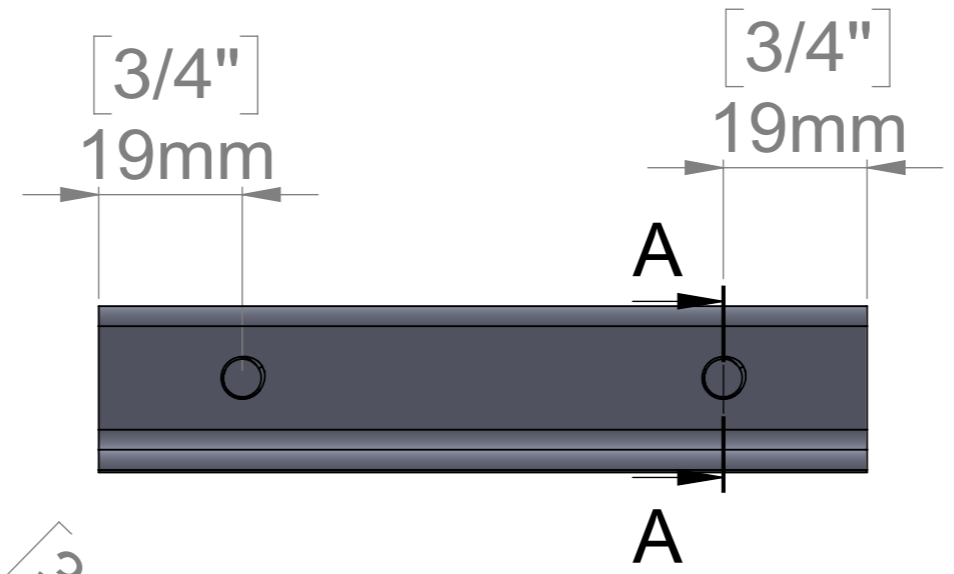
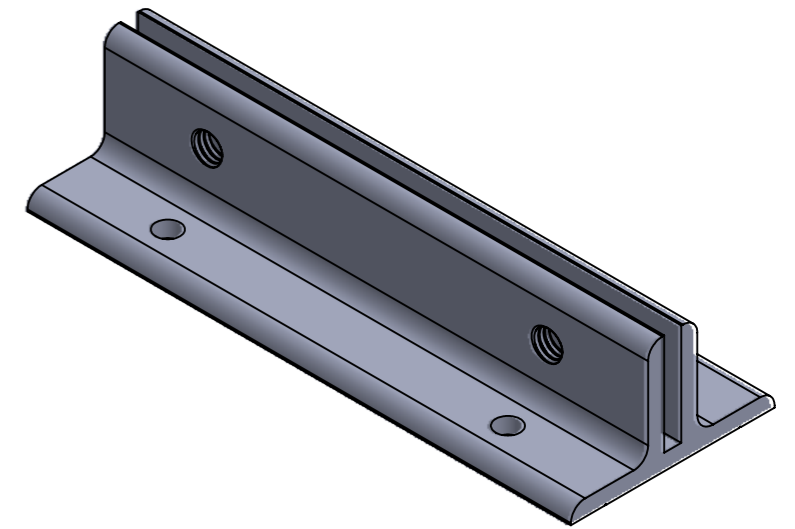


DETAIL O  
SCALE 5 : 1



- ASB18-4 = 4"
- ASB18-6 = 6"
- ASB18-8 = 8"
- ASB18-10 = 10"
- ASB18-12 = 12"
- ASB18-18 = 18"
- ASB18-24 = 24"



2 X M6x8mm set screw need to be install in the profile  
 2 X M6x4mm Set in clear bag (As Extra)  
 All Profile in Sealed clear sleeve with label

Title : ASB18-**			Scale : 1.5:1	Customer:	
			Sizes : Letter Landscape	Qty :	Rep :
		Material:	Finish		
		N°programme laser	N°prog. Mécanum.	N° Plan : HRG3910	