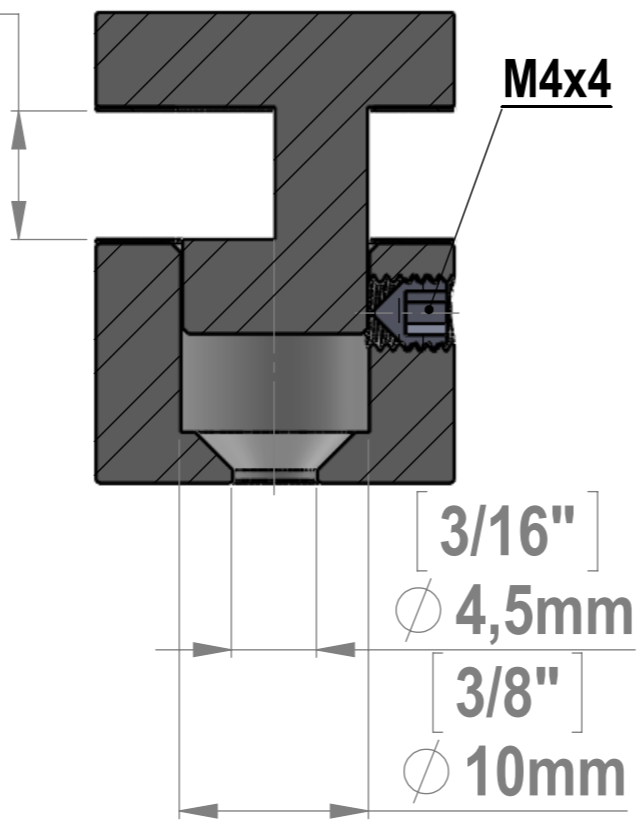
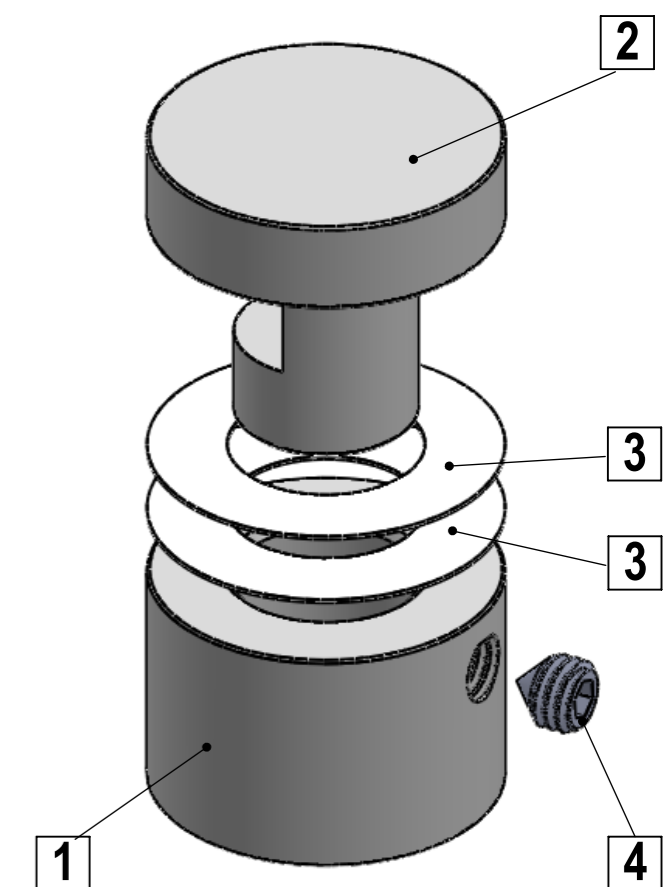
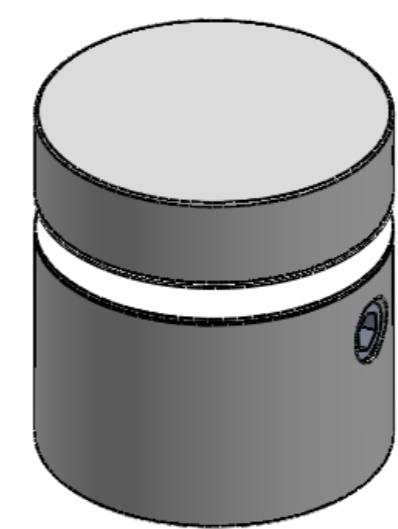
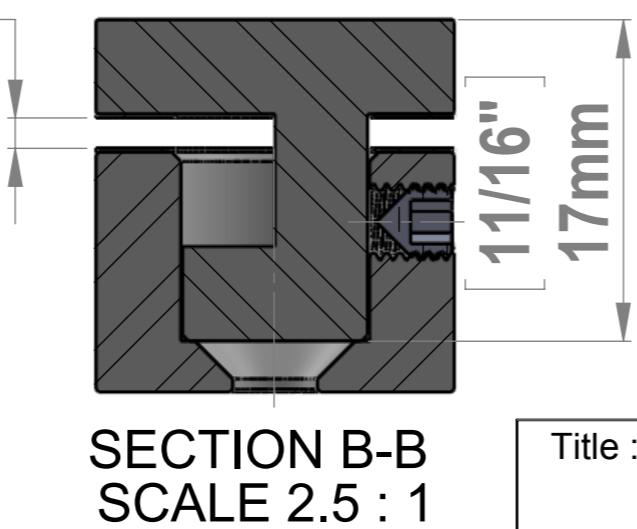


Maximum Thickness
1/4" 6,8mm



Minimum Thickness
1/16" 1,6mm



ITEM NO.	PART NUMBER	DESCRIPTION	QTY.
1	EG075-050_Body		1
2	EG075-050_Head		1
3	EG075_Nylon-Washer		2
4	Set_Screw_M4x4mm		1

Title : EG075-050			Scale : 2.5:1	Customer:	
			Sizes : Letter Landscape	Qty :	Rep :
Material:		Finish		N° Plan : EG075-050	
N°programme laser		N°prog. Mécanum.			