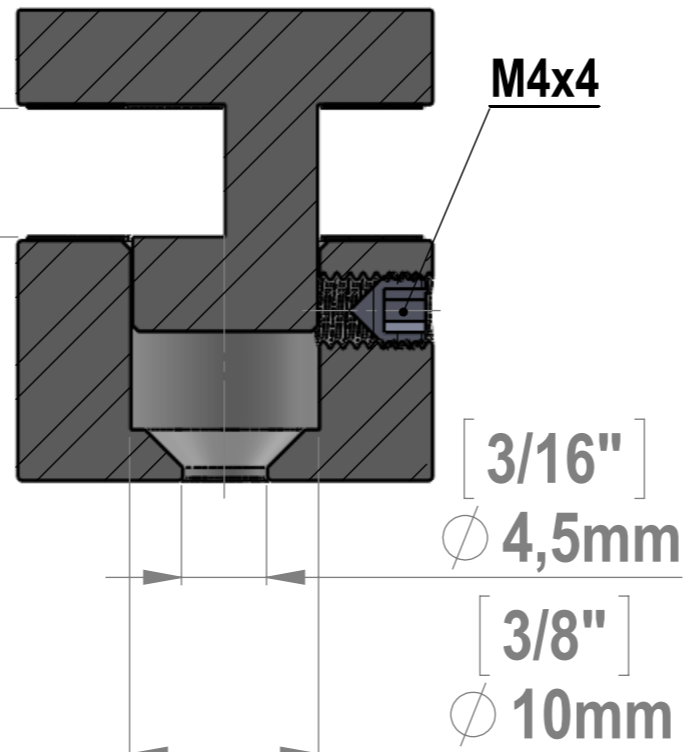


Maximum Thickness

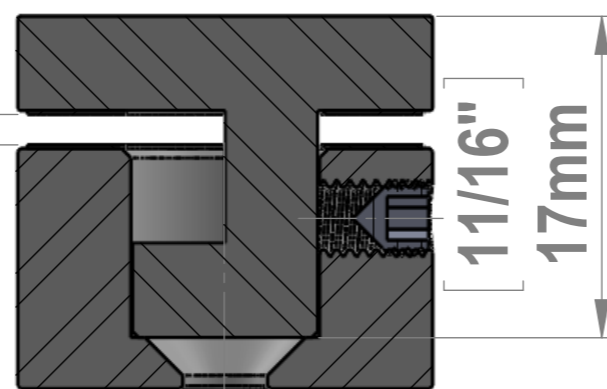
$\left[\frac{1}{4} \right]$
6,8mm

Minimum Thickness

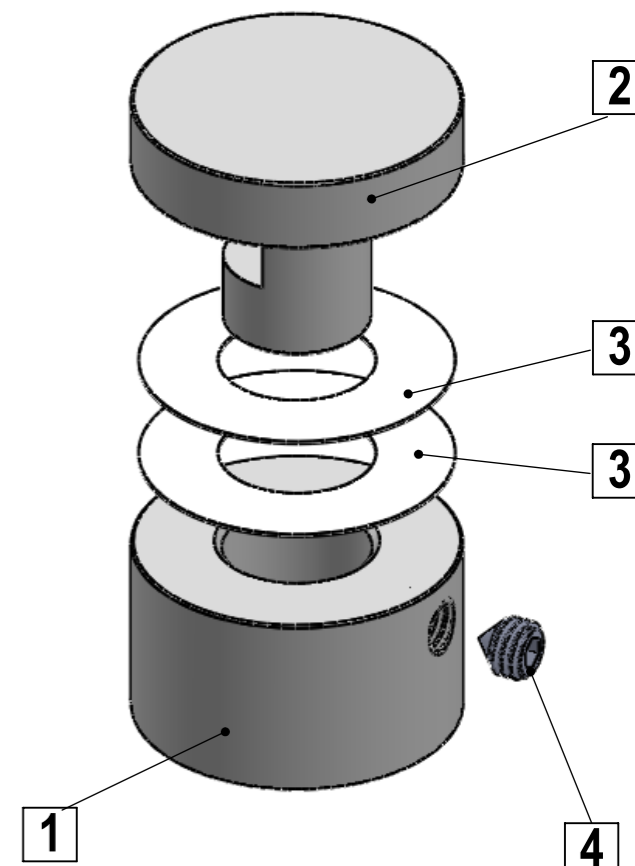
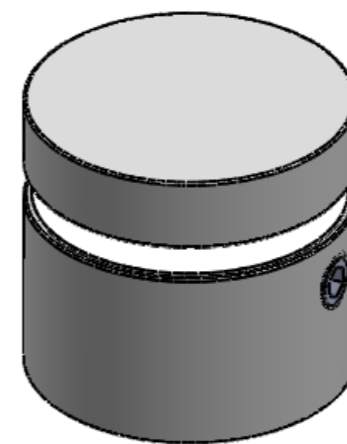
$\left[\frac{1}{16} \right]$
1,6mm



SECTION A-A
SCALE 2.5 : 1



SECTION B-B
SCALE 2.5 : 1



ITEM NO.	PART NUMBER	DESCRIPTION	QTY.
1	EG087-050_Body		1
2	EG087-050_Head		1
3	EG087_Nylon-Washer		2
4	Set_Screw_M4x4mm		1

Title : EG087-050		Scale : 2:1	
		Customer:	
Material:		Finish	
N°programme laser		N°prog. Mécanum.	
		Qty :	Rep :
N° Plan : EG087-050			