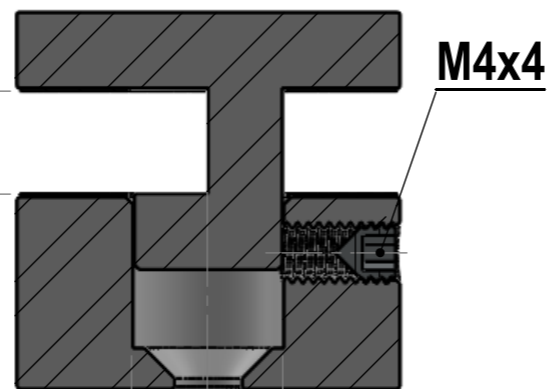


Maximum Thickness

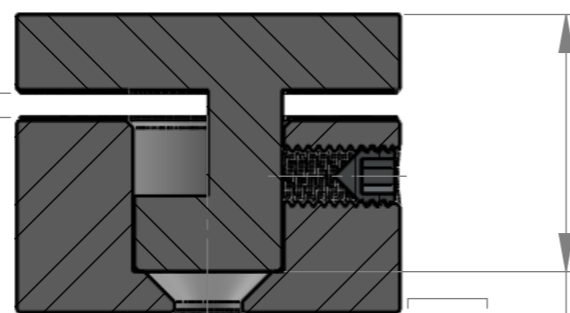
$\frac{1}{4}$ "
6,8mm

Minimum Thickness

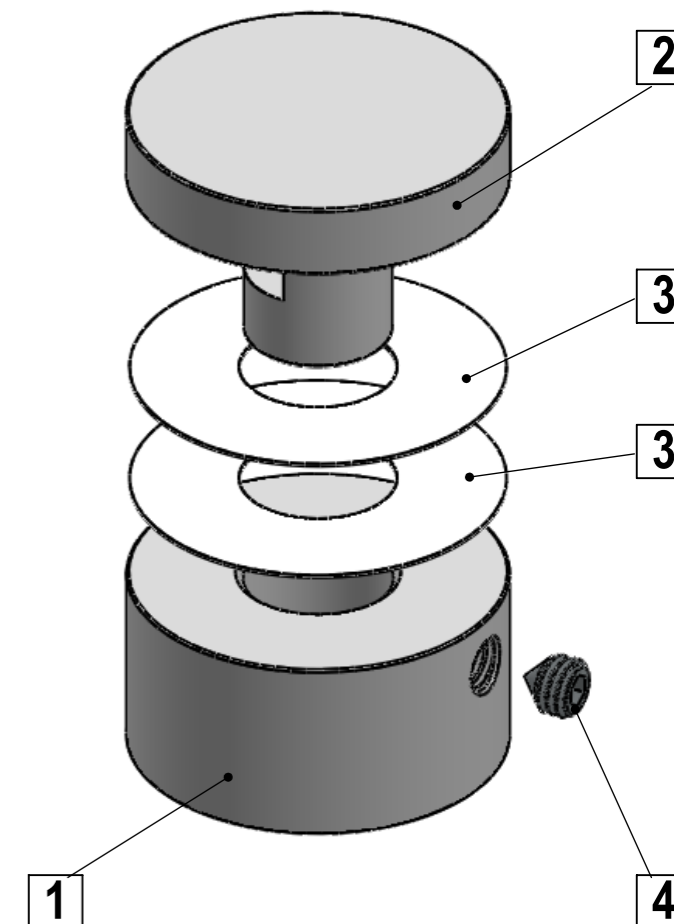
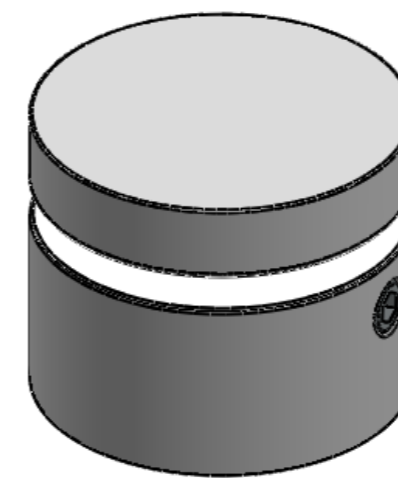
$\frac{1}{16}$ "
1,6mm



SECTION A-A



SECTION B-B



ITEM NO.	PART NUMBER	DESCRIPTION	QTY.
1	EG100-050_Body		1
2	EG100-050_Head		1
3	EG100_Nylon-Washer		2
4	Set_Screw_M4x4mm		1

Title : EG100-050			Scale : 2:1	
Material:			Sizes : Letter Landscape	
N°programme laser		Finish		Customer:
N°prog. Mécanum.		N°prog. Mécanum.		Qty : Rep :
N° Plan : EG100-050				