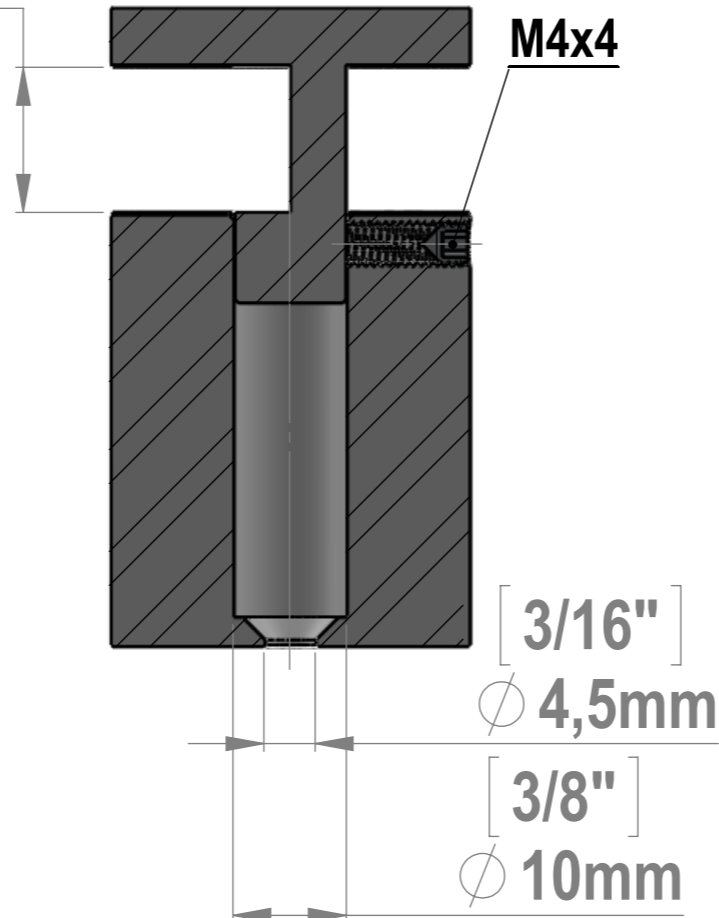
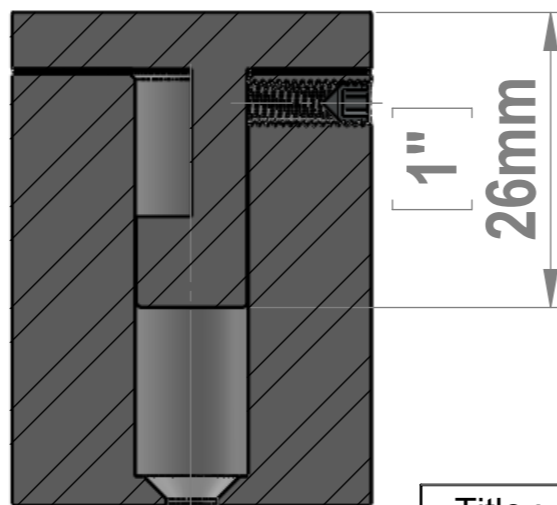


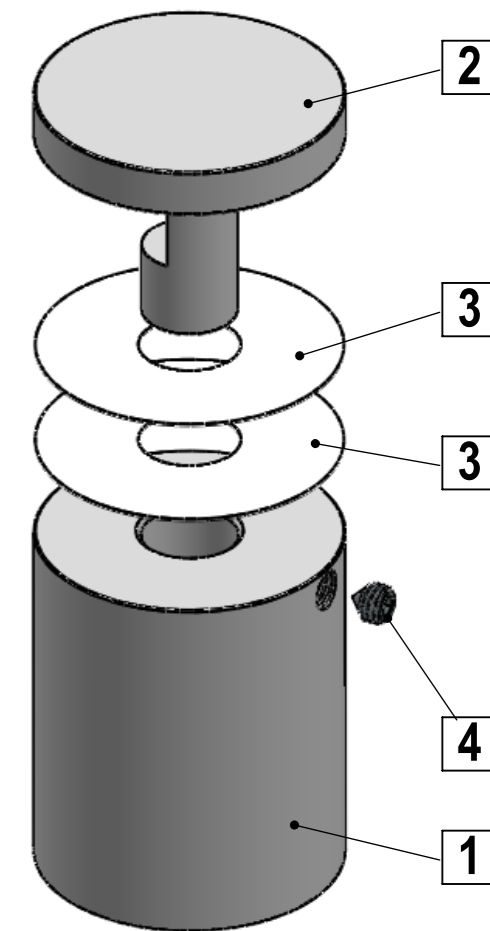
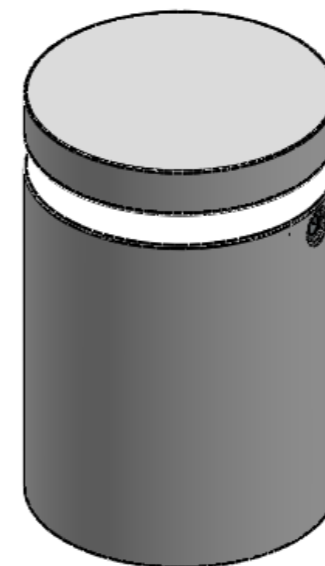
Maximum
Thickness
1/2"
12,8mm



SECTION A-A
SCALE 1.5 : 1



SECTION B-B
SCALE 1.5 : 1



ITEM NO.	PART NUMBER	DESCRIPTION	QTY.
1	EG125-150_Body		1
2	EG125-100_Head		1
3	EG125_Nylon-Washer		2
4	Set_Screw_M4x4mm		1

Title : EG125-150			Scale : 1.3:1	Customer:	
			Sizes : Letter Landscape	Qty :	Rep :
Material:		Finish		N° Plan : EG125-150	
N°programme laser		N°prog. Mécanum.			