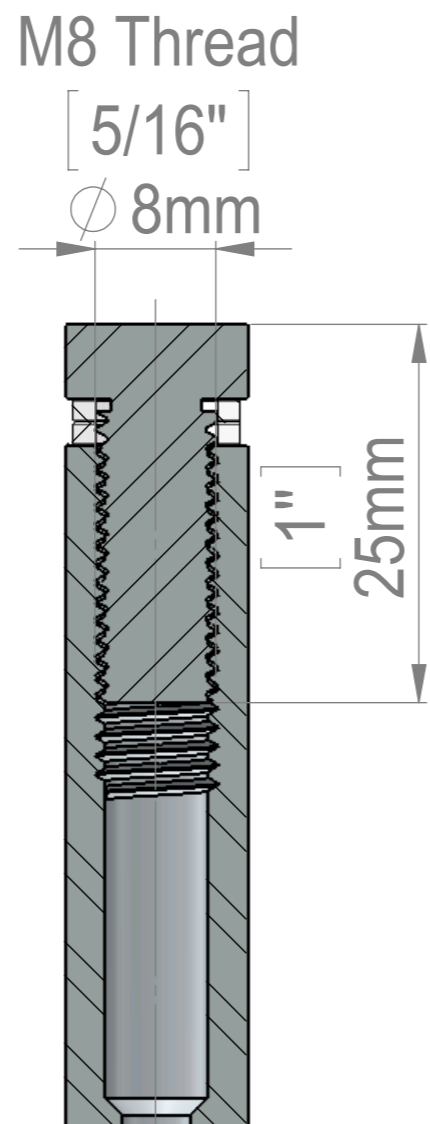
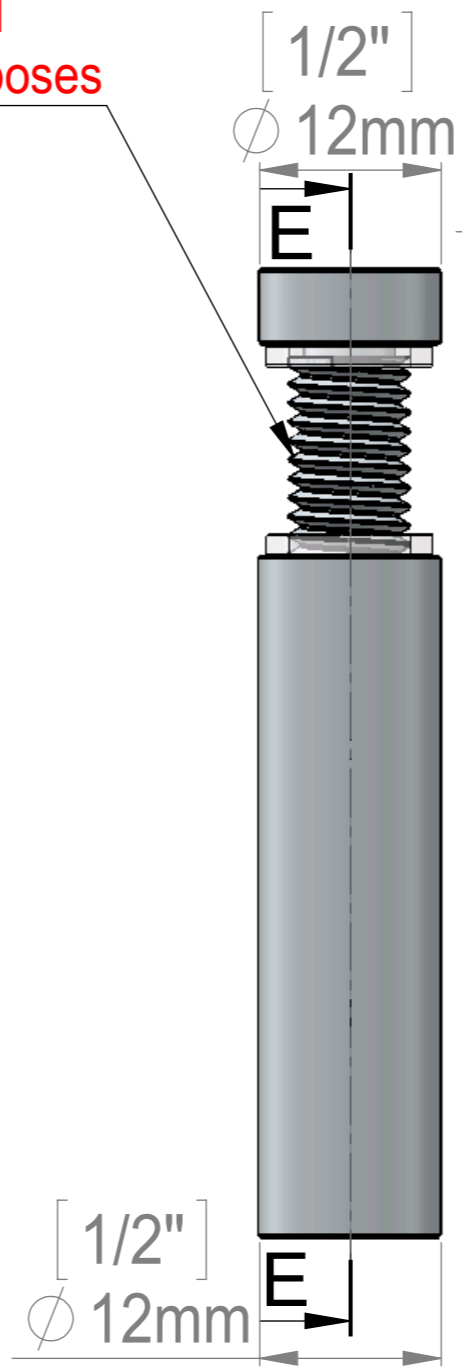


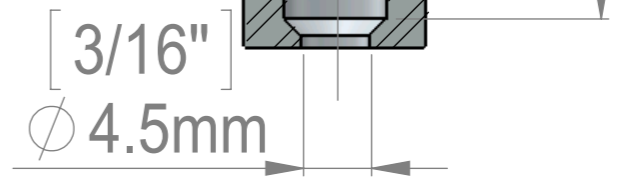
Attention
Reverse Threaded
For Tamper Proof Purposes



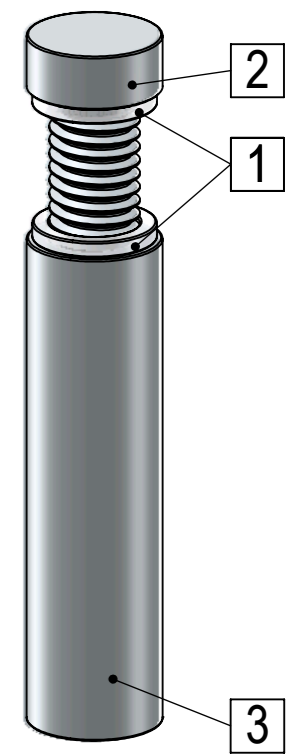
SECTION F-F
SCALE 2 : 1



Maximum
Thickness
9/16" 14mm



SECTION E-E
SCALE 2 : 1



ITEM NO.	PART NUMBER	DESCRIPTION	QTY.
1	FAH12_Washer		2
2	HM1102A(FHA12-25)-Reverse_Thread		1
3	FAH12-50_Body-12x45-Reverse_Thread		1

Title : FAH12-50			Scale : 1.5:1	Customer:	
			Sizes : Letter Landscape	Qty :	Rep :
Material:		Finish			
N°programme laser		N°prog. Mécanum.		N° Plan : FAH12-50	