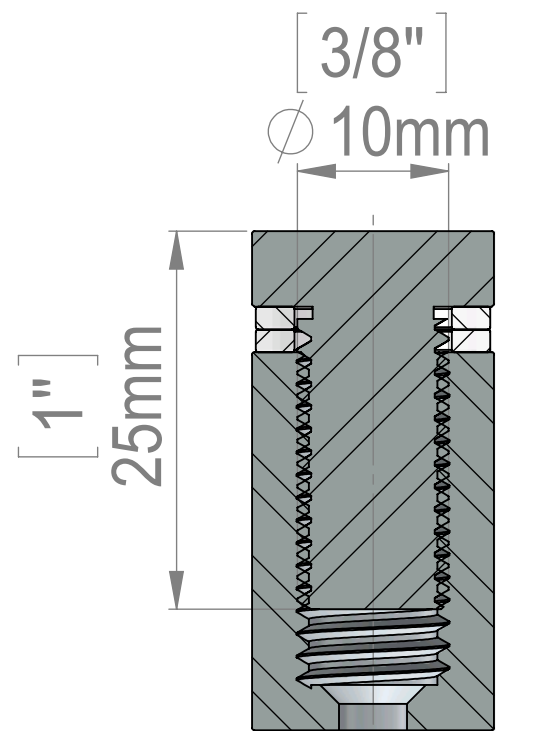
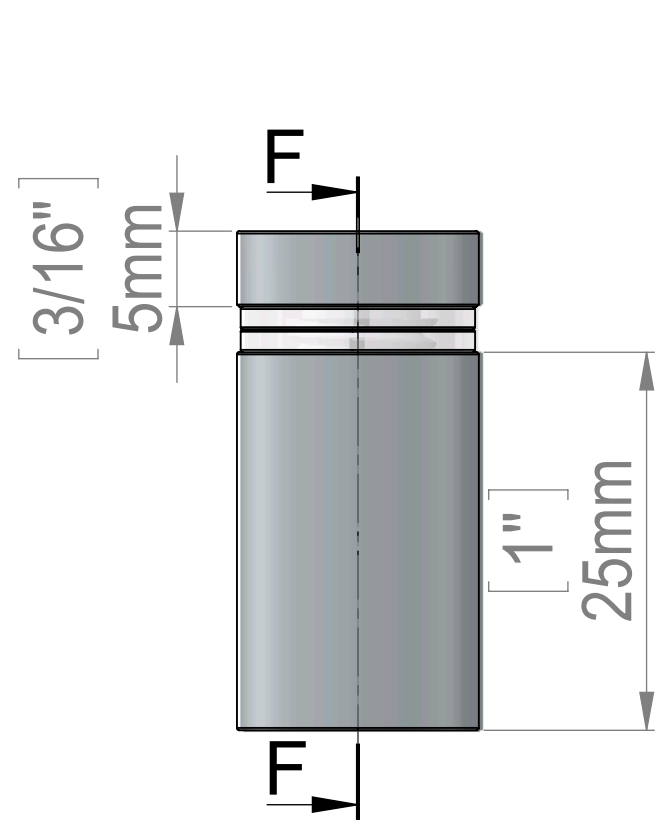
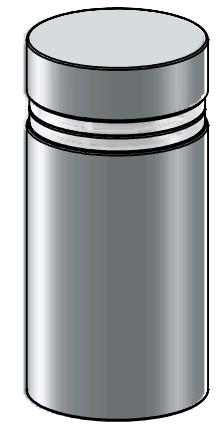
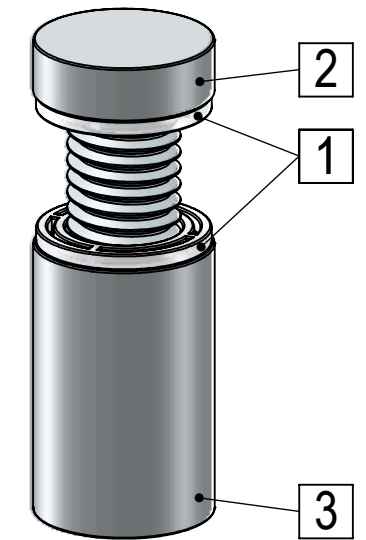


**Attention**  
**Reverse Threaded**  
**For Tamper Proof Purposes**



SECTION F-F  
 SCALE 2 : 1

ITEM NO.	PART NUMBER	DESCRIPTION	QTY.
1	FAH16_Washer		2
2	HM1107A(FHA16-25)-Reverse_Thread		1
3	FAH16-30_Body-16x25-Reverse_Thread		1

Title : FAH16-30		Scale : 1.5:1	Customer:	
		Sizes : Letter Landscape	Qty :	Rep :
Material:		Finish		
N°programme laser		N°prog. Mécanum.	N° Plan : FAH16-30	