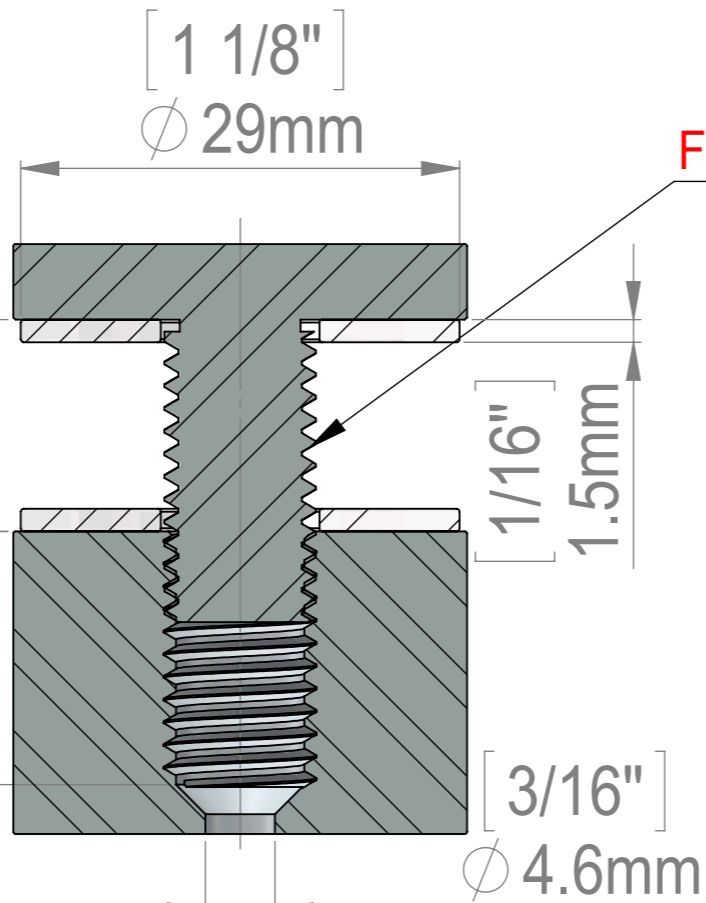


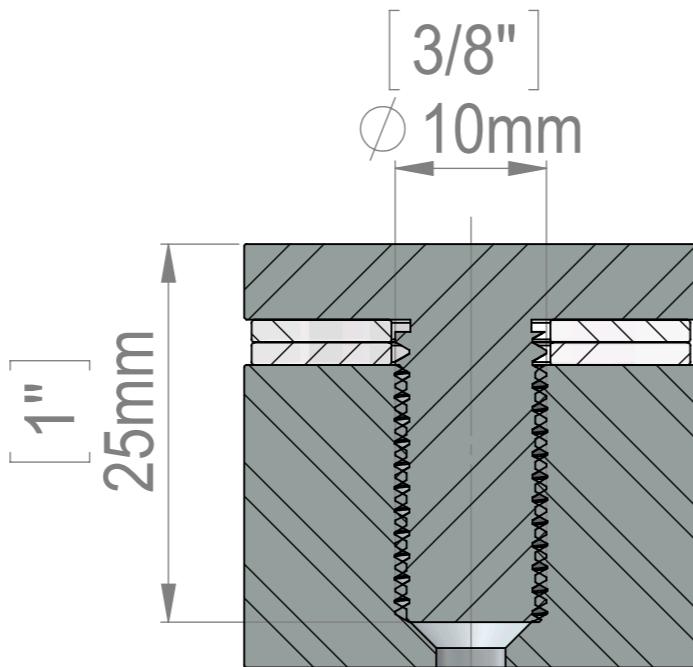
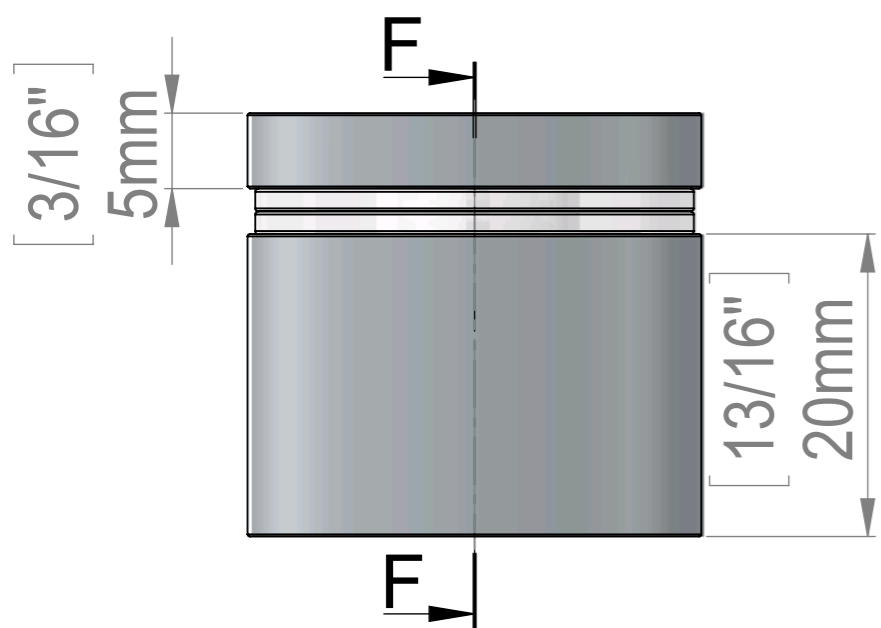
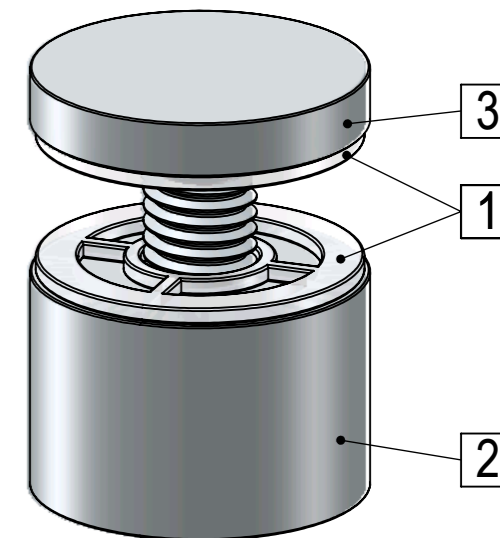
Maximum Thickness
[9/16"]
14mm



SECTION E-E
SCALE 2 : 1

M10 Thread

Attention
Reverse Threaded
For Tamper Proof Perposes



SECTION F-F
SCALE 2 : 1



ITEM NO.	PART NUMBER	DESCRIPTION	QTY.
1	FAH30_Washer		2
2	FAH30-25_Body-25x20-Reverse_Thread		1
3	HM1127A(FHA30-25)-Reverse_Thread		1

Title : FAH30-25		Scale : 1.5:1	Customer:	
		Sizes : Letter Landscape	Qty :	Rep :
Material:		Finish		
N°programme laser		N°prog. Mécanum.	N° Plan : FAH30-25	