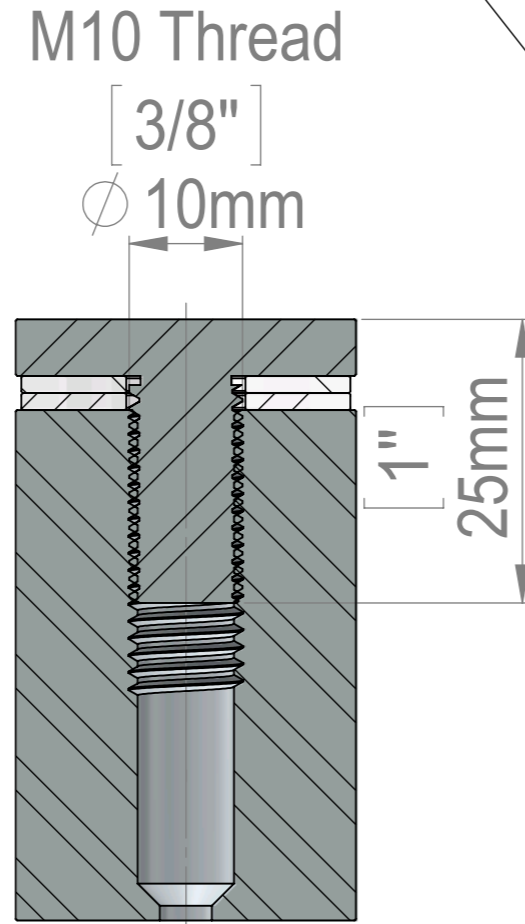
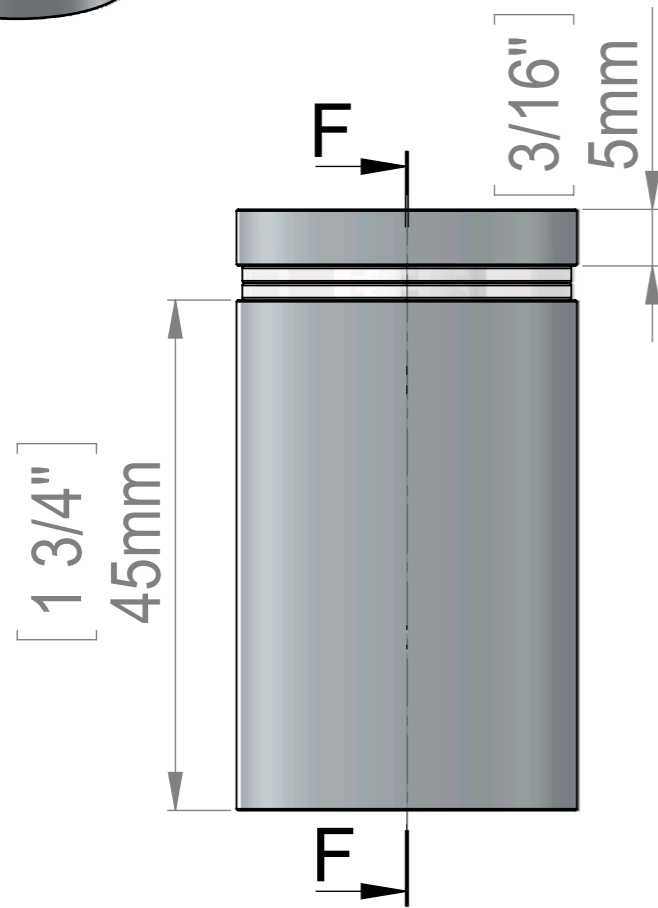
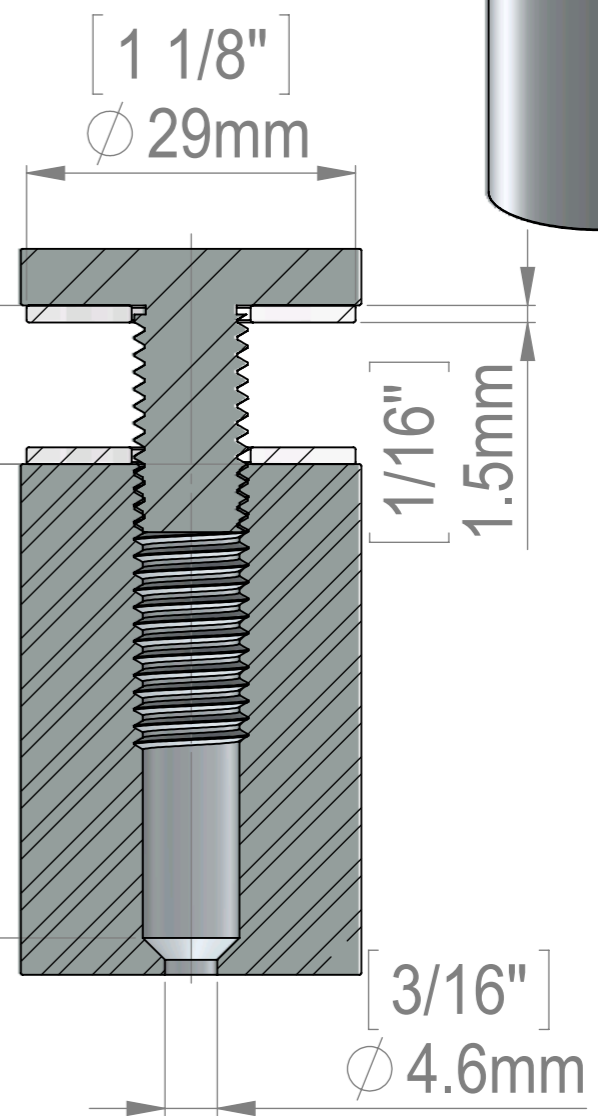
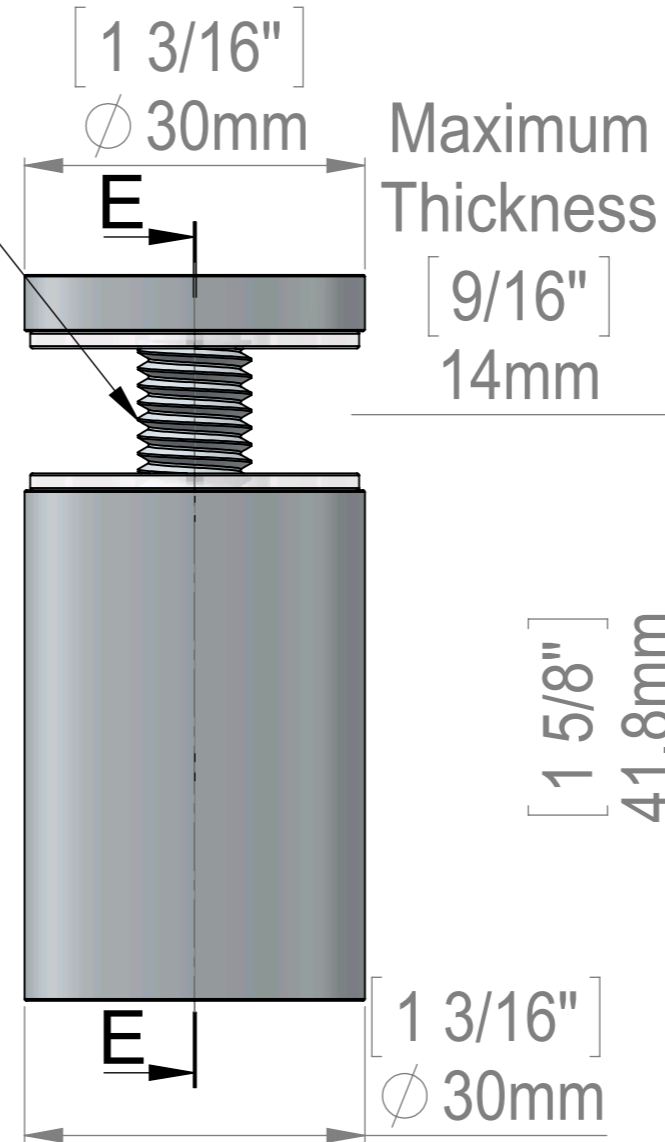


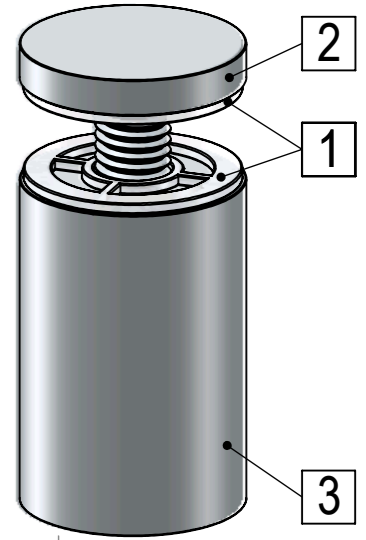
Attention
Reverse Threaded
For Tamper Proof Purposes



SECTION F-F
SCALE 1.5 : 1



SECTION E-E
SCALE 1.5 : 1



| ITEM NO. | PART NUMBER | DESCRIPTION | QTY. |
|----------|------------------------------------|-------------|------|
| 1 | FAH30_Washer | | 2 |
| 2 | HM1127A(FHA30-25)-Reverse_Thread | | 1 |
| 3 | FAH30-50_Body-30x45-Reverse_Thread | | 1 |

| | | | |
|--------------------|--|------------------|-------|
| Title : FAH30-50 | | Scale : 1:1 | |
| | | Customer: | |
| Material: | | Finish | |
| N°programme laser | | N°prog. Mécanum. | |
| | | Qty : | Rep : |
| N° Plan : FAH30-50 | | | |