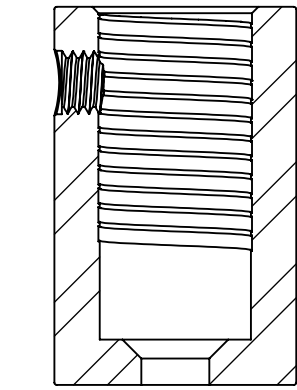




**1 LBL16-30 (M10) Body (16x25)
(Scale 2:1)**

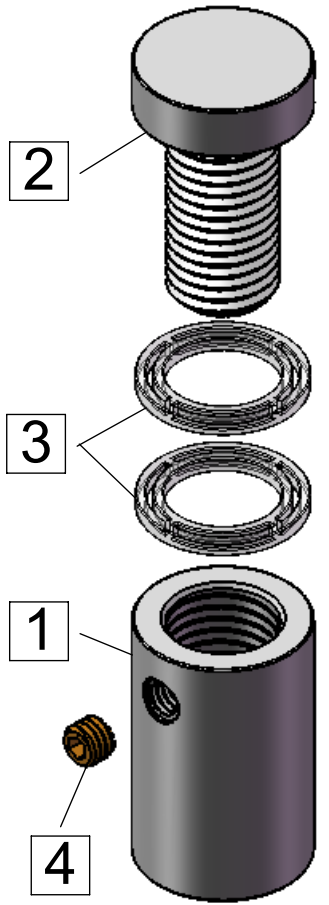
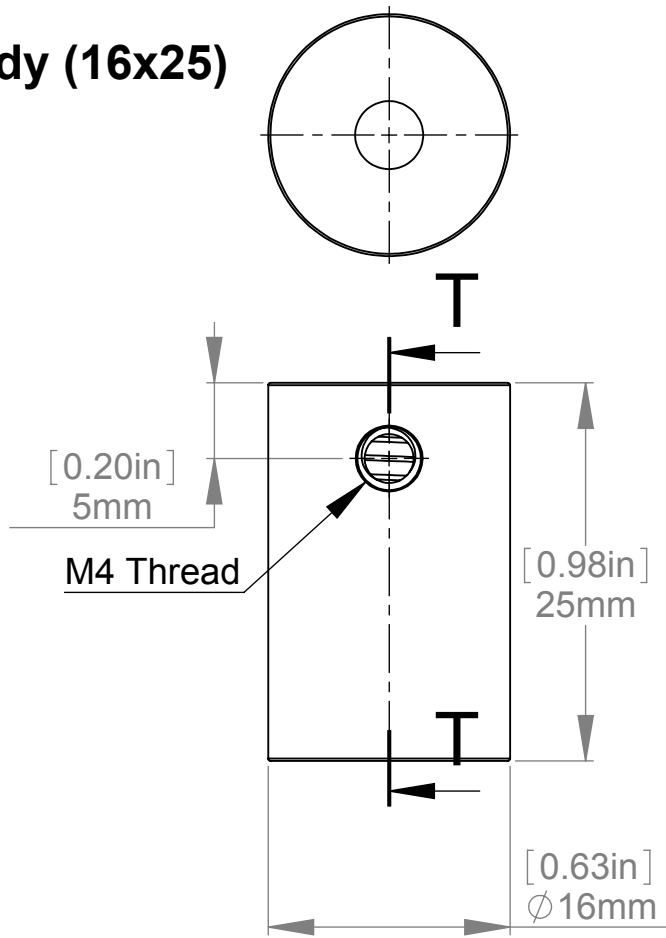
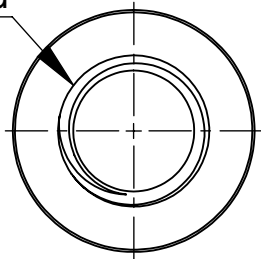
LBL16-25

[0.18in]
∅ 4.50mm



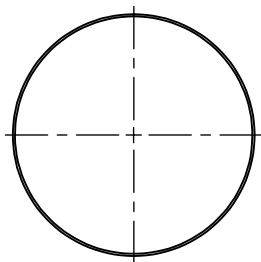
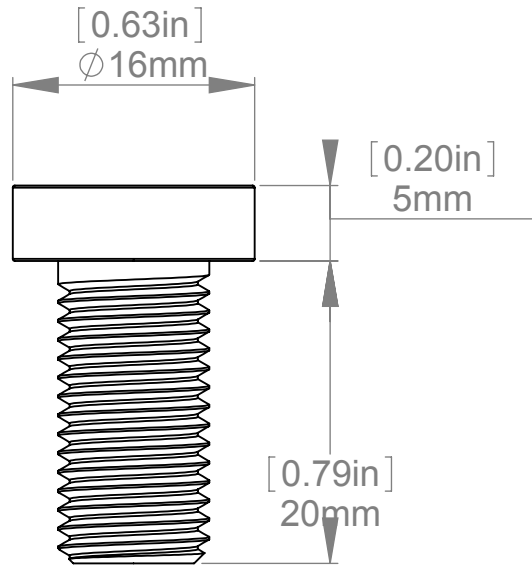
SECTION T-T

M10 Thread

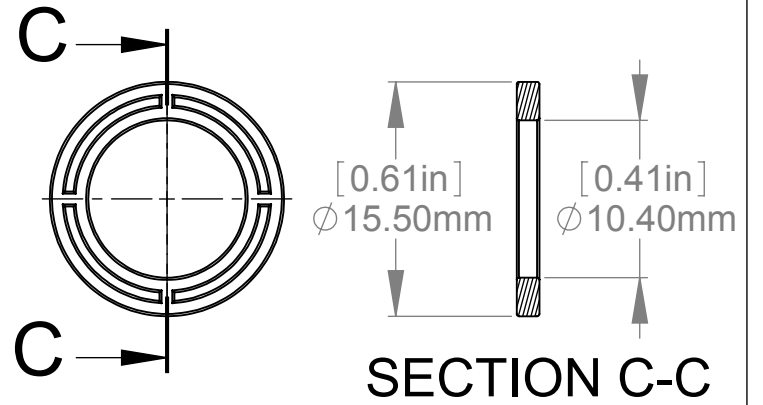
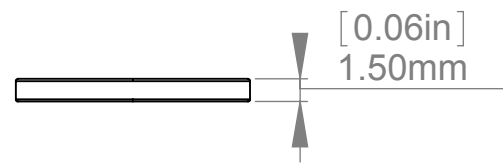


2

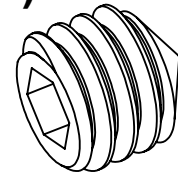
**LBL16 (M10) Head
(Scale 2:1)**



**3 LBL16 (M10) Washer
(Scale 2:1)**



**4 M4xL4mm Set Screw
(Scale 5:1)**



| Item | Qty. | Description |
|------|------|-----------------------------|
| 1 | 1 | LBL16-30 (M10) Body (16x25) |
| 2 | 1 | LBL16 (M10) Head |
| 3 | 2 | LBL16 (M10) Washer |
| 4 | 1 | M4xL4mm Set Screw |

| | | | | |
|-------------------------|--|--------------------|--------------------------|--|
| Title : LBL16-30 | | | Scale : 2:1 | |
| Material: | | | Sizes : Letter Landscape | |
| N°programme laser | | Finish | Customer: | |
| N°prog. Mécanum. | | Qty : | Rep : | |
| | | N° Plan : LBL16-30 | | |