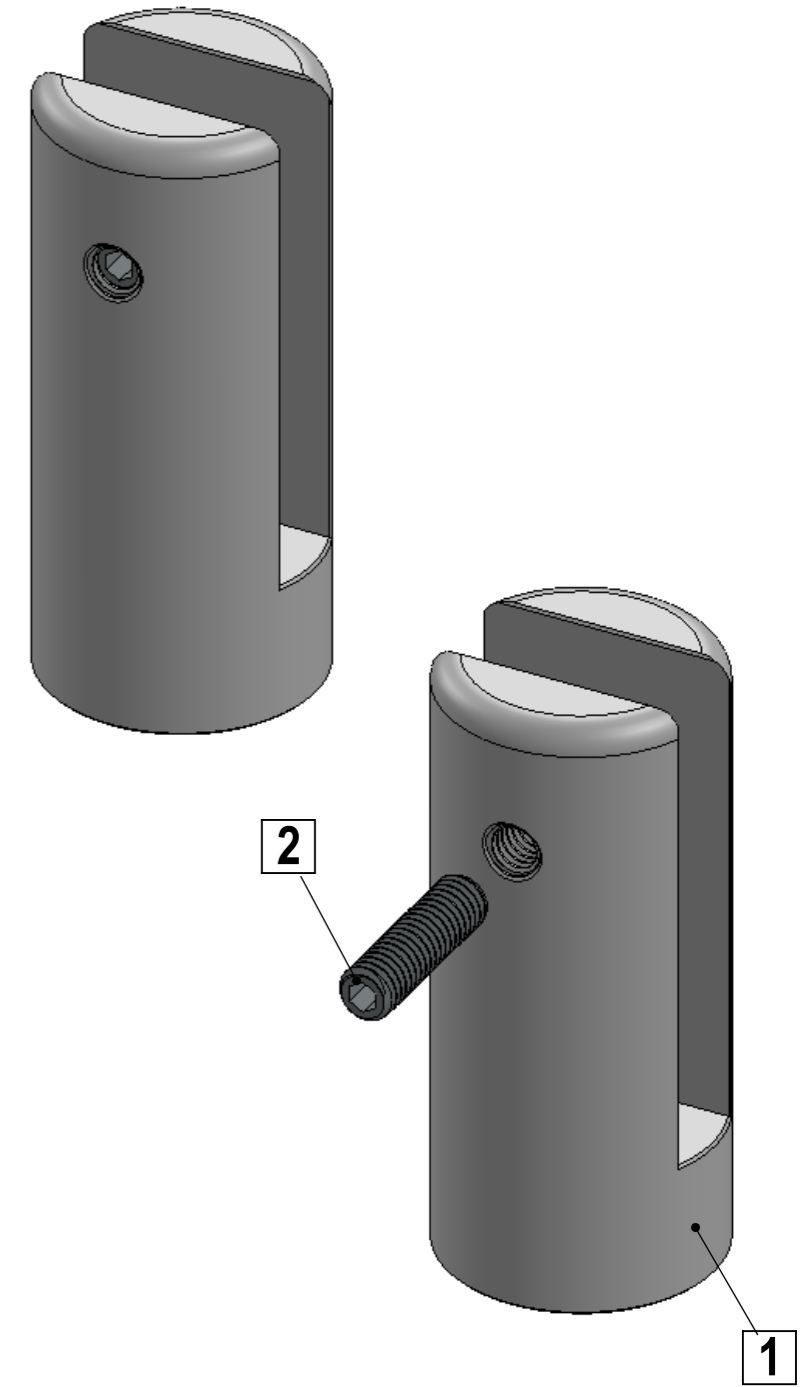


SECTION A-A
SCALE 2.5 : 1



ITEM NO.	PART NUMBER	DESCRIPTION	QTY.
1	PGS250_Body		1
2	Set_Screw_M4x16mm		1

Title : PGS250			Scale : 2:1	Customer:	
			Sizes : Letter Landscape	Qty :	Rep :
Material:		Finish	N° Plan : PGS250		
N°programme laser		N°prog. Mécanum.			