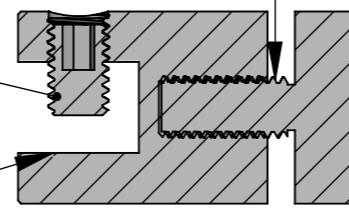


Material Accepted
1/8" to 3/16"

Material hole required 3/16"

Set Screw M4x6

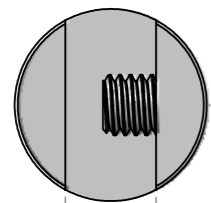
Material Accepted
Up to 3/16"



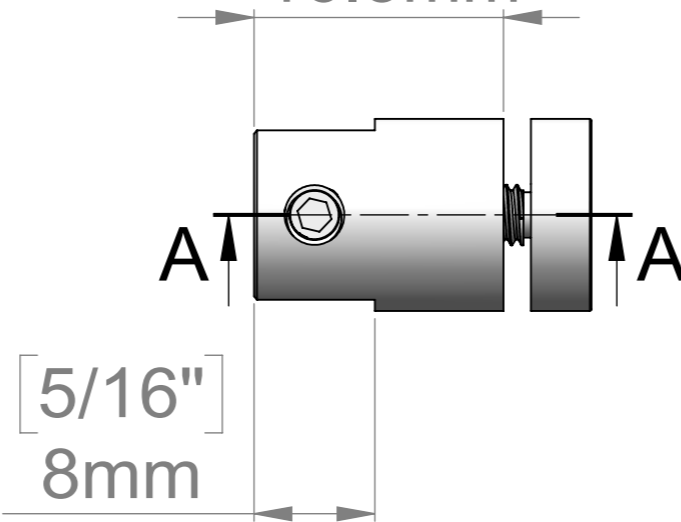
[1/2"]
∅ 12.7mm

SECTION A-A

[5/8"]
16.5mm

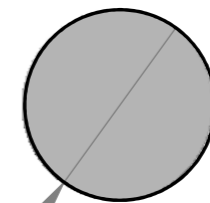


[1/4"]
6mm



[5/16"]
8mm

[1/2"]
∅ 12.7mm



Title : PS05062		Scale : 3.5:1	Customer:	
		Sizes : Letter Landscape		
	Material: Cast Acrylic	Finish: Clear Polished Edges	Qty: Set of 2	Rep :
	N°programme laser	N°prog. Mécanum.	N° Plan : PS05062	