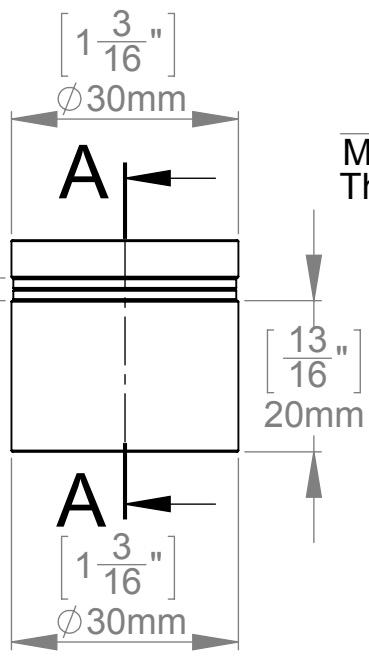
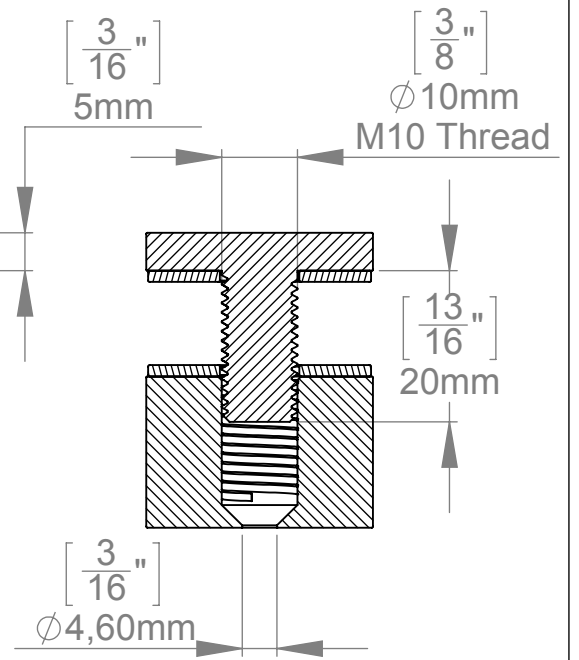
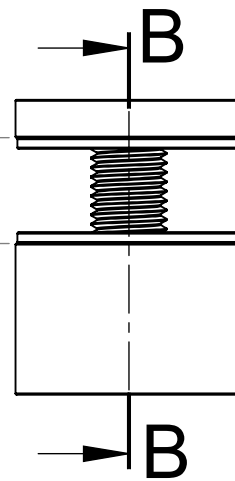


SECTION A-A

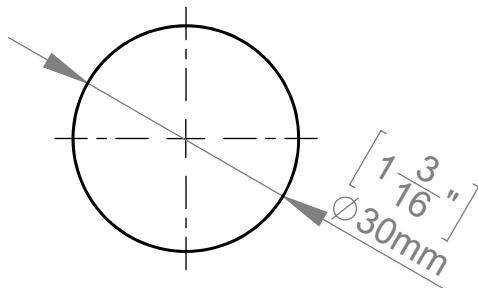
No Minimum Thickness



Maximum Thickness  
14mm  
(9/16 inch)



SECTION B-B



Item	Qty.	Description
[1]	1	SBL30-25 Body (Ø 30xH20)
[2]	1	LBLS30 (M10) Head
[3]	2	LBLS30 (M10) Washer

Title : <b>SBL30-25</b>			Scale : 1:1	
			Sizes : Letter Landscape	
Material:		Finish		Customer:
N°programme laser		N°prog. Mécanum.		Qty :      Rep :
N° Plan : SBL30-25				