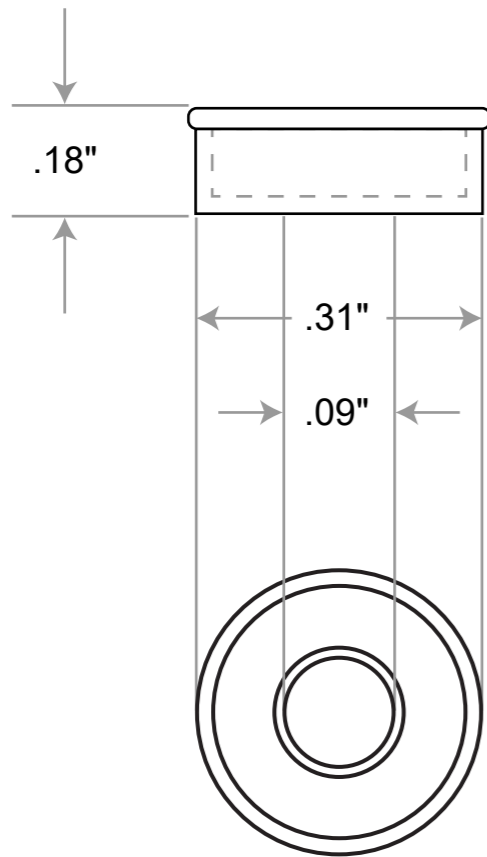


Snap-Cap washer for screw
#6, #8, M3, M4



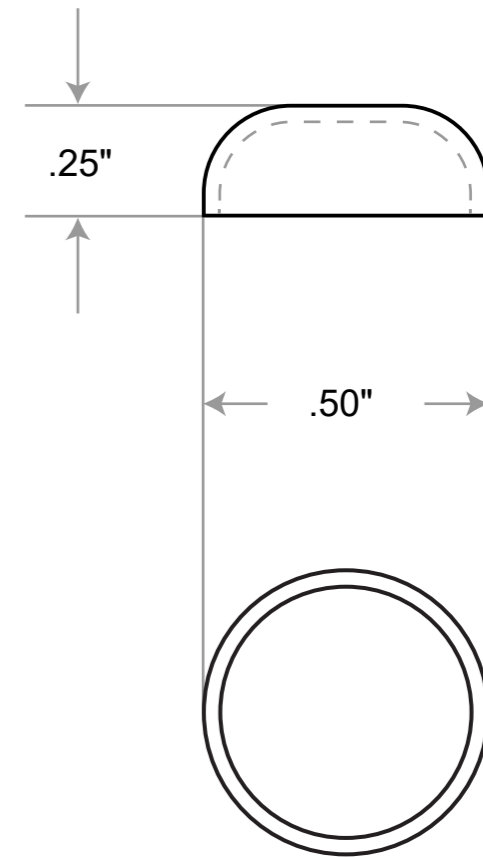
Washer for flat head
screw use Item #: W6/8FB



Washer for countersunk
screw use Item #: W6/8CS

Washer Sold Separately

Snap-Cap for screw
#6, #8, M3, M4



Drawing Is Not To Scale

Title: SC6/8SBG		Cap Height: 1/4"		
		Diameter: 1/2"	Customer:	
	Material: High-Impact UV Stabilized Plastic	Finish: Sea Blue Gloss	Qty:	Rep:
	N° program laser	N° prog. Mecan	N° Plan: N° Plan:	