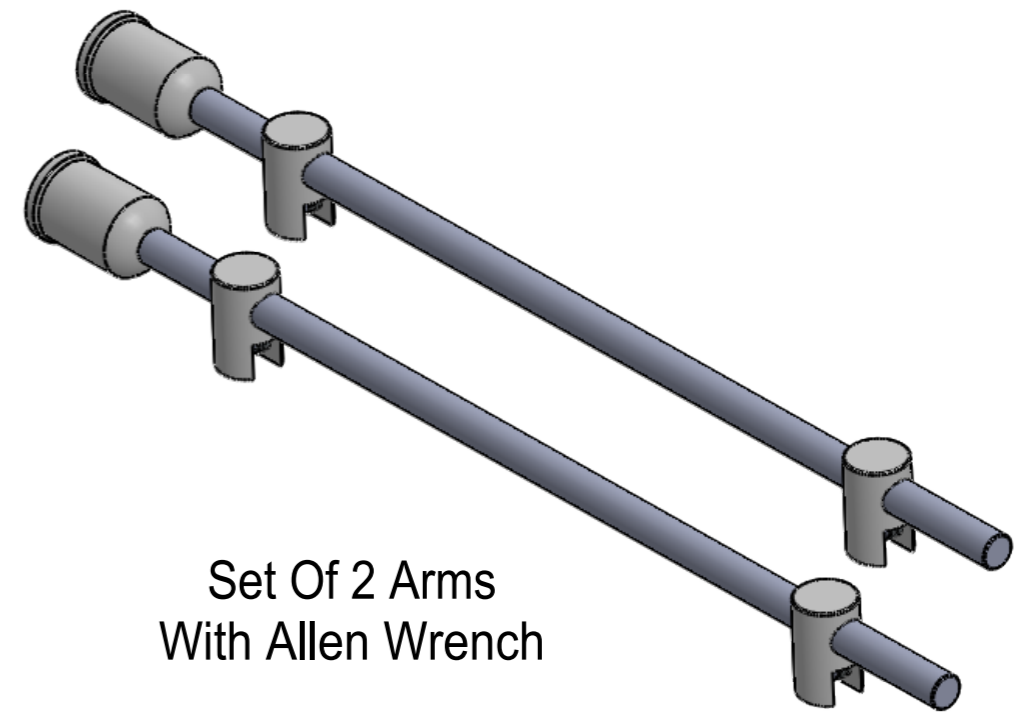


Sold Without Panel



Set Of 2 Arms
With Allen Wrench

[13 13/16"]
350.7mm

[1 7/16"]
36mm

[12 3/8"]
314.4mm

[3/8"]
Ø 10mm

[1"]
Ø 25mm

Optionnal
"Washer Mount
With 3 Holes"
Sku: RPSWM

Reverse thread

Material Thickness Accepted
Up To 5/16"

Optionnal
"Ball End"
ROD310-REA

[3/16"]
4mm

[1 15/16"]
Ø 50mm

[5/16"]
R8mm

Title : RPS12			Scale : 1:2	
			Sizes : Letter Landscape	Customer:
		Material:	Finish	Qty :
		N°programme laser	N°prog. Mécanum.	Rep :
		N° Plan : RPS 12		