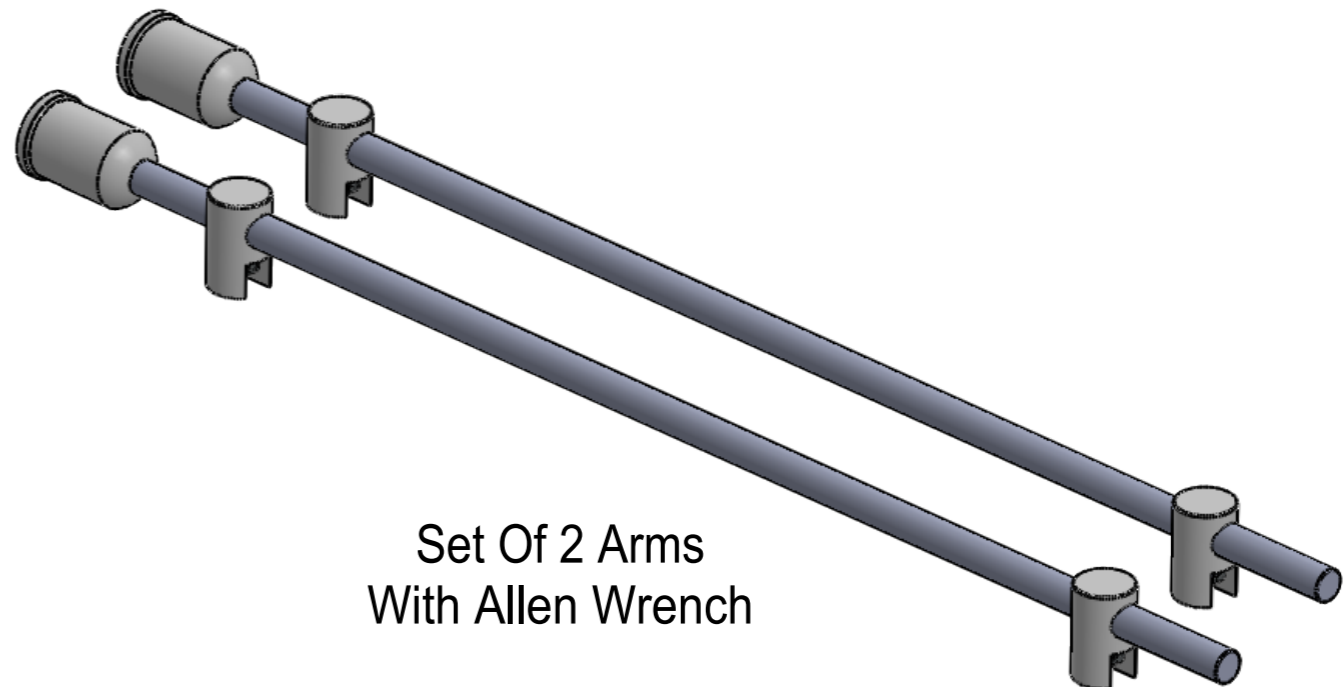


Sold Without Panel



Set Of 2 Arms
With Allen Wrench

[17 13/16"]
452.3mm

[1 7/16"]
36mm

[16 3/8"]
416.3mm

[3/8"]
Ø 10mm

[1"]
Ø 25mm

Optionnal
"Washer Mount
With 3 Holes"
Sku: RPSWM

Reverse thread

Material Thickness Accepted
Up To 5/16"

Optionnal
"Ball End"
Sku: ROD310-REA

[5/16"]
R8mm

[3/16"]
4mm

[1 15/16"]
Ø 50mm

Title : RPS16			Scale : 1:2		
			Sizes : Letter Landscape	Customer:	
			Finish	Qty :	Rep :
			N°programme laser	N°prog. Mécanum.	
			N° Plan : RPS 16		